



中国兵器
工业集团
NORINCO GROUP

襄阳五二五泵业有限公司
XIANGYANG WUERWU PUMP INDUSTRY CO., LTD.



ZD/G SERIES SLURRY PUMP



ZD/G SERIES SLURRY PUMP

ZD/G pump is applied in fields of mine, metallurgical, power, coal, chemical and building materials, to meet requirements of transporting corrosion or erosion slurry solid practically containing, i. e. : coal cinder or coal-slurry in thermal power plant, slurry transport in metallurgy and concentrating mill, and coal slurry and dense medium transported in coal preparation plant, which maximum mass density of slurry is 45% mortar and 60% ole pulp.

Operating parameters

Flow Rate: 4~2550 m³/h

Head: 9~135 m

Temperature: -20~120°C

Lubrication: Oil

Operating: Continuous

Direction of rotation: Clockwise from motor end

Design Features

Pump bolt jointed with pedestal. The outlet may be adjusted to connect in 8 positions at the interval of 45°

An adjusting bolt equips in the pedestal for adjusting the clearance between impeller and front liner to guarantee operating at the highest efficiency point.

Flow parts will remain good interchangeability.

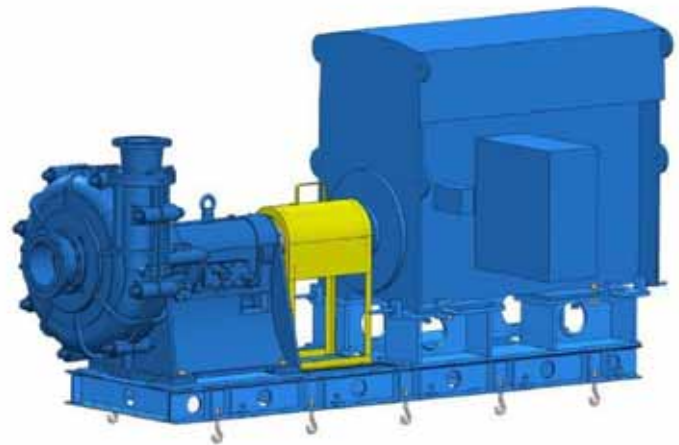
Temperature measuring device equips in bearing house for DCS control system.



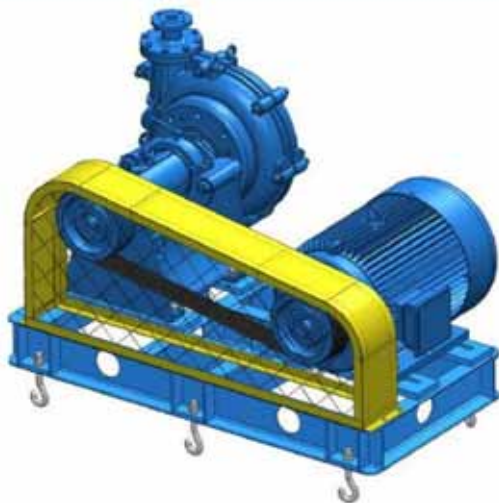
ZD/G SERIES SLURRY PUMP



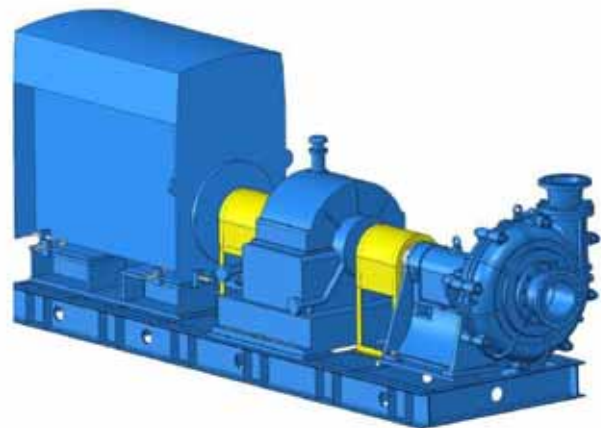
Vertical belt coupled



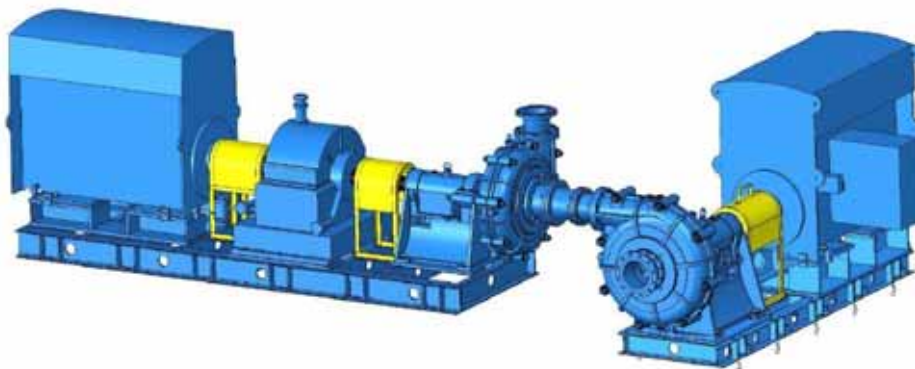
Direct coupled



Right belt coupled

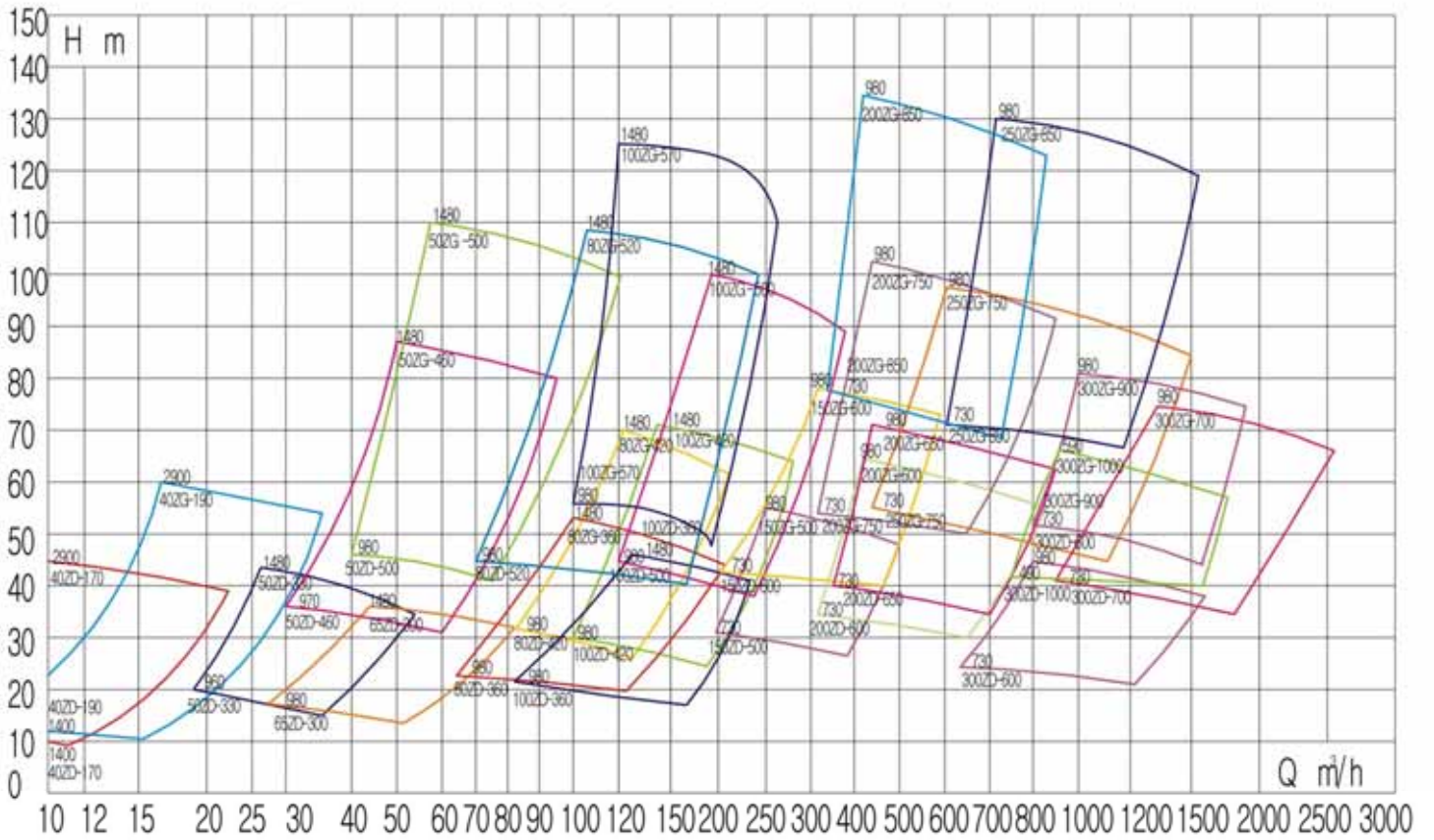


hydraulic coupled



series-wounded

Performance Chart



XIANGYANG WUERWU PUMP INDUSTRY CO., LTD.

Add. No.2 Xinguang Road, Hi-tech Zone, Xiangyang, Hubei, China

Tel. +86-710-3722525/3563302

Fax. +86-710-3560788

E-mail info@525pump.com

en.525pump.com



m.en.525pump.com